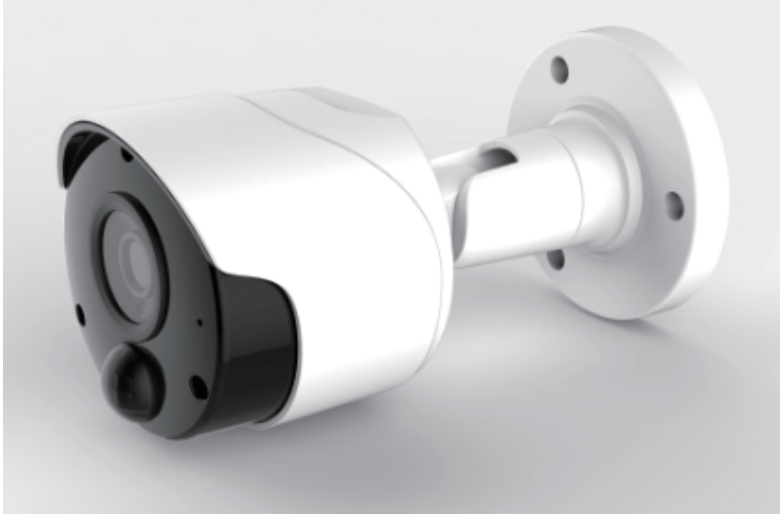


8MP PIR IPC



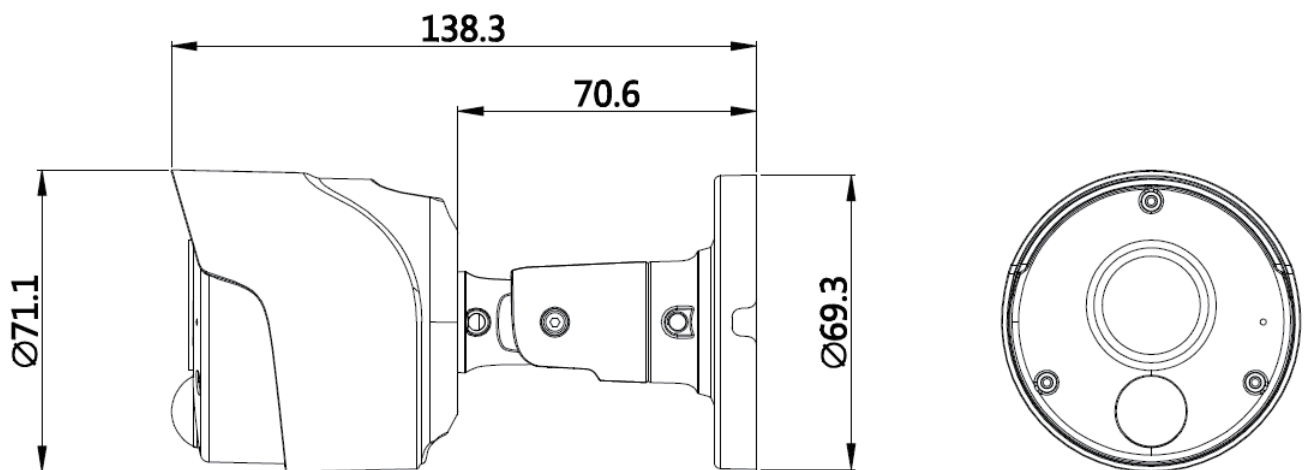
Key Features

- 1/2.3" Progressive Scan CMOS
- 3840 × 2160 @15 fps
- 2.8mm fixed focal lens
- H.265, H.264
- DWDR
- IP66
- BLC/3D DNR/ROI
- PIR Up to 23ft(7m)
- POE

8MP



Dimensions



8MP PIR IPC

Camera	
Image sensor	1/2.3" Progressive Scan CMOS
Min. illumination	Color: 0.1lux@F1.2(AGC ON), 0Lux with IR
Shutter time	1/5s – 1/20000s/AUTO
Slow Shutter	Support
Effective Pixel	8MP 3840(H) x 2160(V)
Lens	2.8mm, F2.0, horizontal FOV: 100°
Lens mount	M12
Day & night	IR cut filter
Digital noise reduction	3D DNR
Wide Dynamic Range	DWDR
Video	
Video compression	Main stream: H.265/H.264; Sub stream: H.265/H.264
Mainstream	8MP (3840x2160),4MP(2592x1520),3MP(2304x1296),1080P(1920x1080),720P(1280x720)
Substream	1080P(1920x1080),720P(1280x720),VGA(640x480),QVGA(320x240)
Image Settings	Rotate mode, Saturation, Brightness, Contrast, Hue, Sharpness adjustable
Max Stream	3840 × 2160@15fps
Features	BLC, ROI, Privacy Mask
Interface	
Video Output	RJ45 10M / 100M Ethernet interface x1
IR Night Vision Range	98ft(30m), 18 LED
PIR	U p to 23ft(7m), 115°
General	
Operating conditions	-22° F ~ 131° F(-30° C ~ 55° C) humidity 95% or less (non-condensing)
Power supply	DC12V/POE, ≤7W
Protection Level	IP66
Dimension	Φ2.80" × 5.44" (Φ71.1mm × 138.3mm)
Weight	0.72lb (325g)