

8 MP Bullet Camera

Key Features

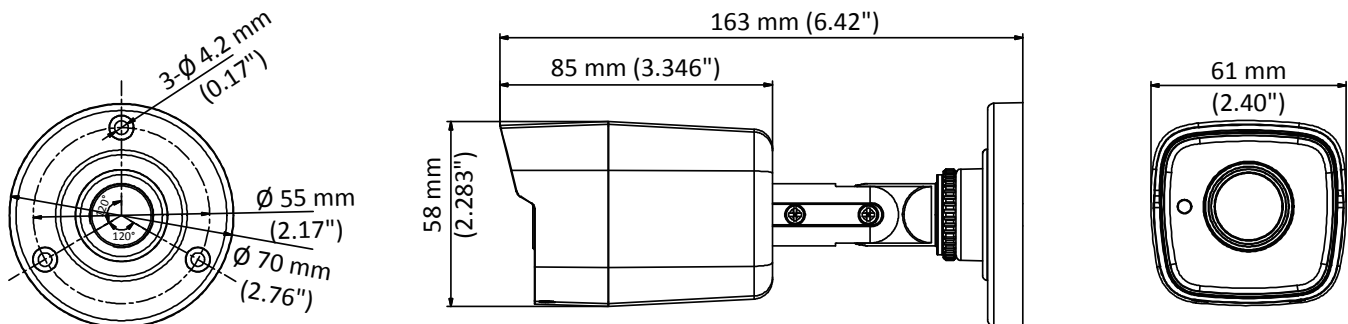


- 8 MP CMOS, 3840 × 2160 resolution
- 4 in 1 video output (switchable TVI/AHD/CVI/CVBS)
- 3.6 mm fixed focal lens
- Matrix IR 2.0, Smart IR, up to 66ft IR distance
- OSD Menu via UTC, DNR,
- IP67

8 MP



Dimensions



8 MP Bullet Camera

Camera	
Image sensor	8MP Progressive Scan CMOS
Effective Pixels	3840 (H) × 2160 (V)
Min. illumination	Color: 0.01 Lux @ (F1.2, AGC ON), 0 Lux with IR
Lens mount	M12
Lens	3.6 mm fixed focal lens
Shutter Time	PAL: 1/12.5s to 1/50,000 s, NTSC: 1/15 s to 1/50,000 s
Horizontal Field of View	79° (3.6mm)
Day & night	IR Cut Filter
Angle Adjustment	Pan: 0° to 360° ; Tilt: 0° to 180° ; Rotate: 0° to 360°
Synchronization	Internal synchronization
Frame Rate	PAL: 8MP@12.5fps, 5 MP@20fps, 4 MP@25fps, 1080p@25fps NTSC: 8MP@15fps, 5 MP@20fps, 4 MP@30fps, 1080p@30fps
Wide Dynamic Range	Digital WDR
Menu	
AGC	Yes
D/N Mode	Auto/Color/BW
White Balance	Auto/Manual
BLC	Support
Functions	Brightness, Sharpness, DNR, Mirror, Smart IR
Video Output	1 HD analog output
General	
Operating Conditions	-40 ° C to 60 ° C (-40 ° F to 140 ° F), humidity: 90% or less (non-condensation)
Power Supply	9 VDC to 15 VDC
Power Consumption	Max. 4.2 W
Protection Level	IP67
IR Range	Up to 66ft(20 m)
Communication	Up the coax, TVI output
Dimensions	58 mm × 61 mm × 158.6 mm (2.28" × 2.4" × 6.42")
Weight	Approx. 345 g (0.76 lb.)